

General Specifications

MODEL MA4
Distributor
(Non-Isolated)

JUXTA

Model MA4 plug-in type Distributor for 2-wire transmitter has compatible functions of distributor and signal conversion.

Input/Output Specification	
Input signal	4~20mA DC from 2-wire transmitter
Input resistance	250Ω (In case of 1~5V DC output)
Supply voltage for transmitter	25~28V DC (with current limit circuit of 25~35mA DC)
Permissible conductor resistance	$RL \leq (20 - \text{transmitter minimum working voltage})V / 0.02A(\Omega)$
Permissible input current	Less than 40mA DC
Output signal	DC current or voltage signal
Permissible load resistance :	
Output range	
4~20mA DC	$24V - (\text{Transmitter minimum working voltage}) - (\text{input side wiring resistance})$ or less 20mA
1~5V DC	250kΩ or more
Standard Performance	
Accuracy rating	±0.1% of span
Insulation resistance	100MΩ (at 500V DC) between input·output~power supply~ground
Voltage withstand	1500V AC/1 minute between input·output~power supply~ground
Temperature range	0~50°C
Humidity range	5~90%RH (no condensation)
Power supply voltage	85~264V AC 47~63Hz or 12~48V DC
Effect of power supply voltage fluctuation	Less than ±0.1% of span for 85~264V AC or 12~48V DC
Effect of change in ambient temperature	Less than ±0.2% of span for 10°C change
Current dissipation	24V DC 98mA
Power dissipation	100V AC 5.5VA, 200V AC 9.4VA
Mounting, Shape and Accessories	
Material	Case: ABS plastic
Mounting method	Wall or DIN rail mounting (More than 5mm interval is required for access mounting)
Connecting method	M3.5 screw terminal
External dimension	85(H)x50(W)x123(D)mm (including socket)
Weight	Body: approx. 250g, Socket: approx. 60g
Accessories	Spacer 1 (Use for DIN rail mounting)

MODEL _____

INPUT _____

A: 4~20mA DC

OUTPUT _____

A: 4~20mA DC

6: 1~5V DC

POWER SUPPLY _____

1: 12~48V DC

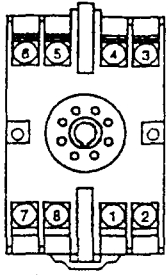
2: 85~264V AC

MA4-□□-□*A

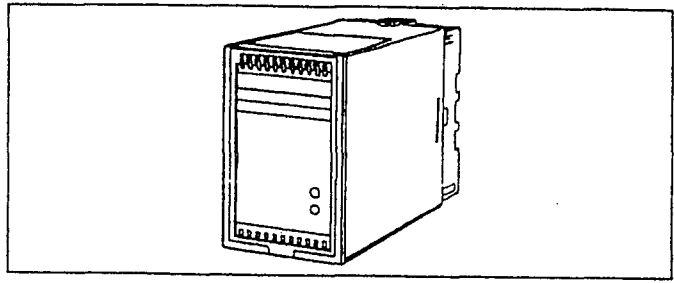
ORDERING INFORMATION

● Model Code : (Example) MA4-A6-2*A

TERMINAL ARRANGEMENT

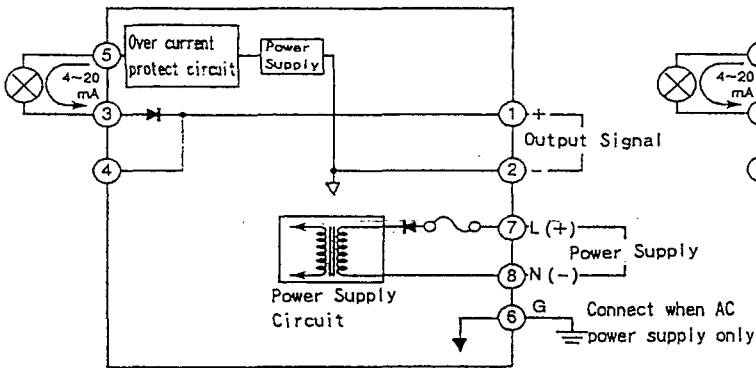


1	OUTPUT (+)
2	OUTPUT (-)
3	INPUT (-)
4	INPUT (COM)
5	INPUT (PS+)
6	GND (G)
7	SUPPLY (L+)
8	SUPPLY (N-)

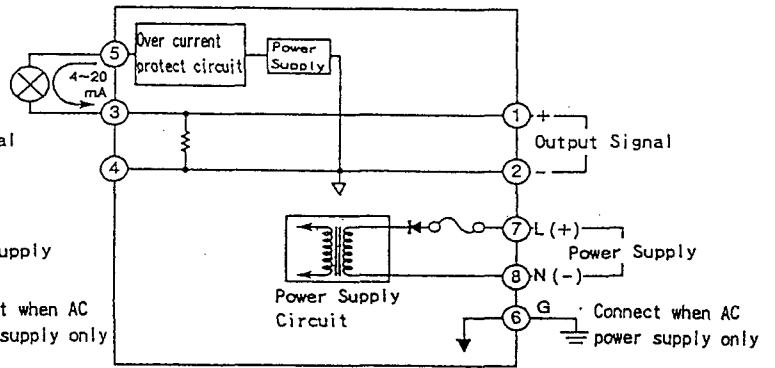


BLOCK DIAGRAM

Current Output

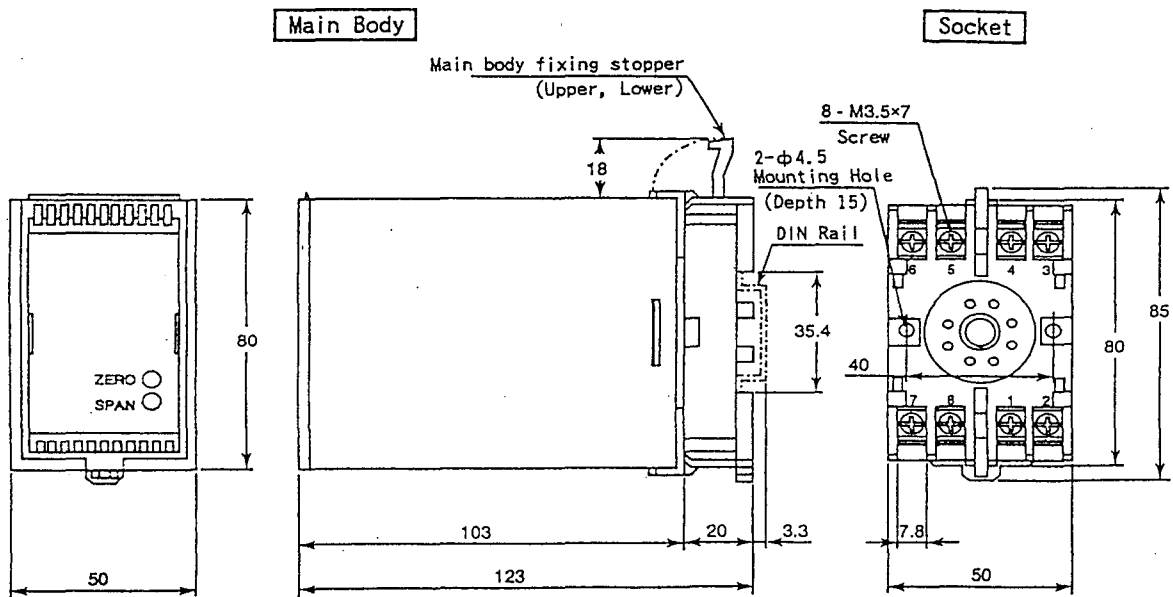


Volatge Output



EXTERNAL DIMENSION

Unit : mm



Subject to change without notice for grade up quality and performance